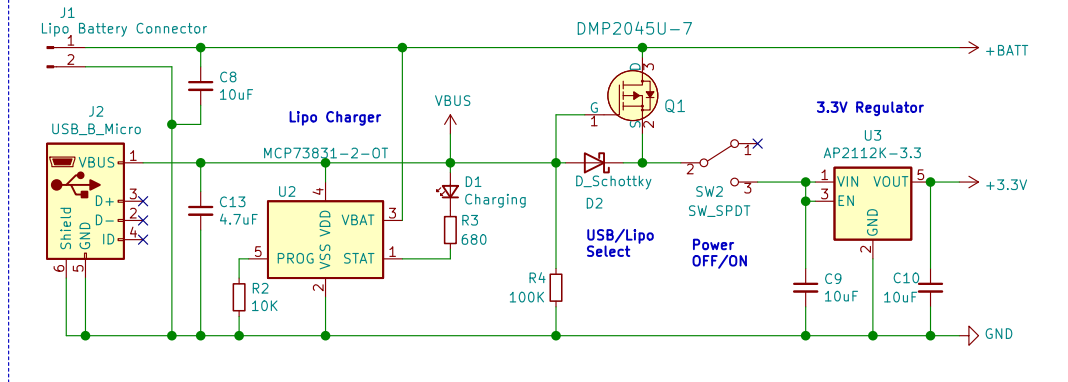
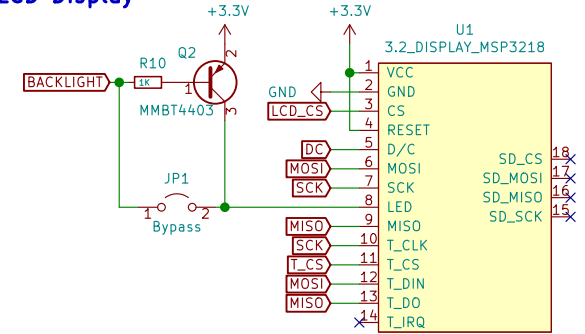


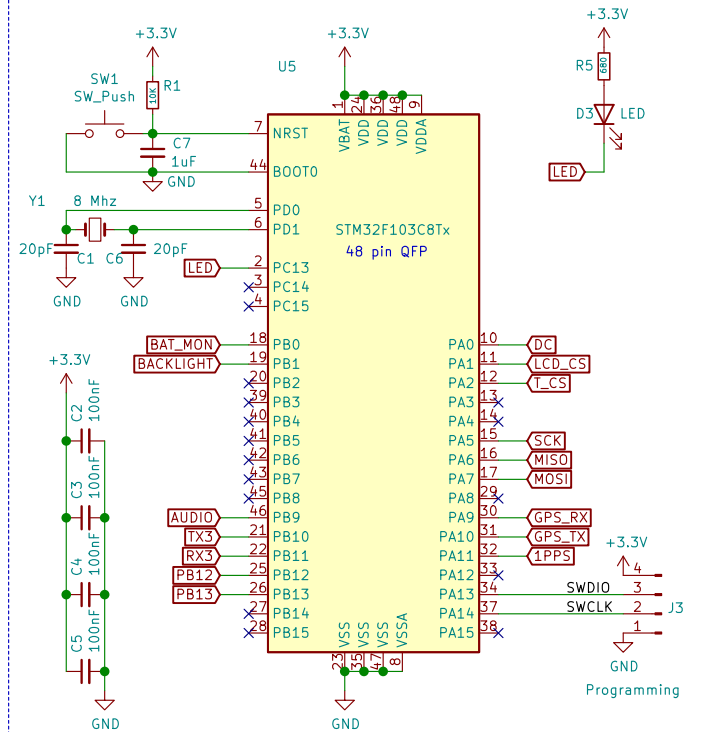
Power Supply & Lipo Battery Charger



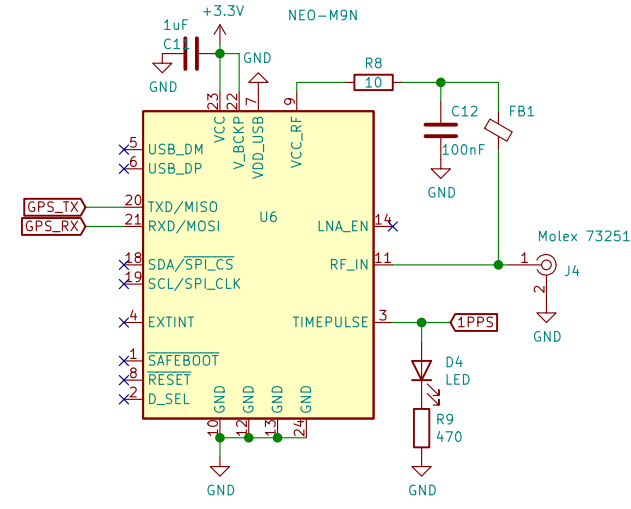
LCD Display



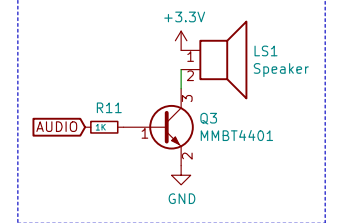
STM32 Microcontroller



GPS Module

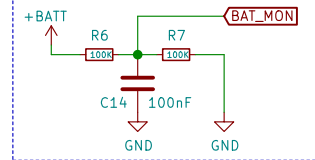


Audio Interface



NOTE: C14 added after BN34 PCB was created.

Battery Monitor



GPS clock by W8BH

Bruce E. Hall

Sheet: /
File: GPS_clock.sch

Title: GPS Clock by W8BH

Size: A4 Date: 2021-04-11

KiCad E.D.A. kicad (5.1.10)-1

Rev: 1

Id: 1/1